

5 IN. MICROFILTRATION CONTINUOUS HANGER FOR GUTTERS

PRODUCT

- Product for new rain gutters
- Protects from snow and ice
- Supports 438 lbs. (199 kg)/linear foot
- Uniform support across the entire length
- Shell structure
- Lifetime anti-clog warranty
- Lifetime guarantee on material and sturdiness
- Invisible from the ground
- Package contains:
 - 7.5' (2.29 m) x 24 pcs = 180' (54.86 m)
 - 200 screws (see description below)

TOP-LAYER ALUMINUM

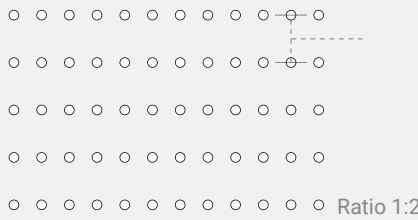
- Colour: Black
- Grade: 3105 H24
- Thickness: 0.0175" (including finish)

BOTTOM-LAYER ALUMINUM

- Colour: aluminum
- Grade: 3105 H24
- Thickness: 0.014" (including finish)

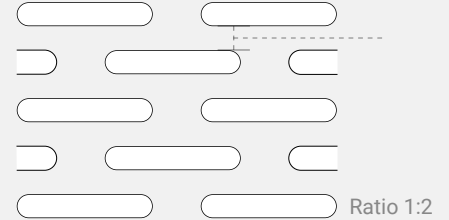
TOP-LAYER PERFORATIONS

- 7/64" (2.8 mm) in diameter
- Drains 40.6" (1031 mm) of water per hour per linear foot
- Offers the perfect balance between maximum drainage and debris protection



BOTTOM-LAYER PERFORATIONS

- 1 1/4" (31.75 mm) by 0,267" (6.8 mm)
- Surface tension increases drainage
- Block access to fine debris



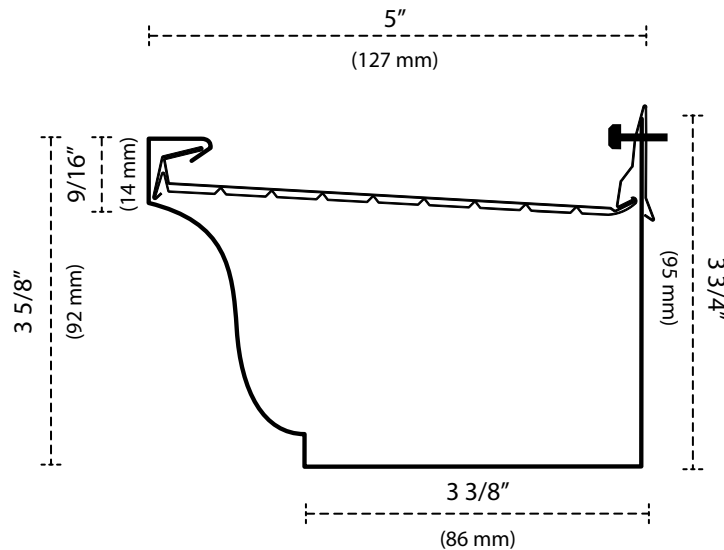
View the results of our independent drainage, resistance, and wind tunnel tests at www.alu-rex.com/en/tests.

Tolerances

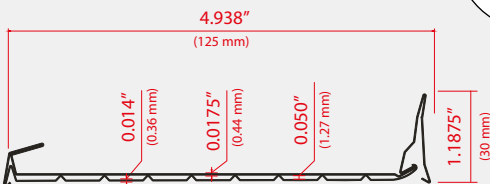
x.xxx" = +/- 0.005" (0.127 mm)

x.xxxx" = +/- 0.0005" (0.0127 mm)

5" GUTTER PROFILE



PROFILE



SCREWS

- This hanger is installed with self-sealing screws made of zinc #10 -1 1/2" (38 mm) with 1/4" (6.4 mm) black hexagon heads and integrated rubber gaskets.
- Reinforces the gutter so it will stay in place year after year without needing to be removed or replaced.
- Reduces the risk of water seeping into the fascia.

